

BOARD HANGER BRACKET

HY-BH10B

1. SAFETY PRECAUTIONS

- Before installation or use, be sure to carefully read all the instructions in this section for correct and safe operation.
- Be sure to follow all the precautionary instructions in this section, which contain important warnings and/or cautions regarding safety.
- After reading, keep this manual handy for future reference.

WARNING

Indicates a potentially hazardous situation which, if mishandled, could result in death or serious personal injury.

- Install the unit only in a location that can structurally support the weight of the unit and the speaker. Doing otherwise may result in the speaker falling down and causing personal injury and/or property damage.
- Since the unit is designed for indoor use, do not install it outdoors. If installed outdoors, the aging of parts causes the speaker to fall off, resulting in personal injury.
- Do not use other methods than specified to mount the unit. Extreme force is applied to the unit and the speaker could fall off, possibly resulting in personal injuries.
- Tighten each bolt securely. Ensure that the unit has no loose joints after installation to prevent accidents that could result in personal injury.
- Use the specified speaker in combination. Doing otherwise may cause the speaker to fall off, resulting in personal injury.
- Do not mount the unit in locations exposed to constant vibration. The unit can be damaged by excessive vibration, potentially causing the speaker to fall, which could result in personal injury.
- Do not use anti-rust lubricant. If it contacts resin or rubber parts, they could deteriorate and cause the unit to fall, possibly resulting in personal injury.

CAUTION

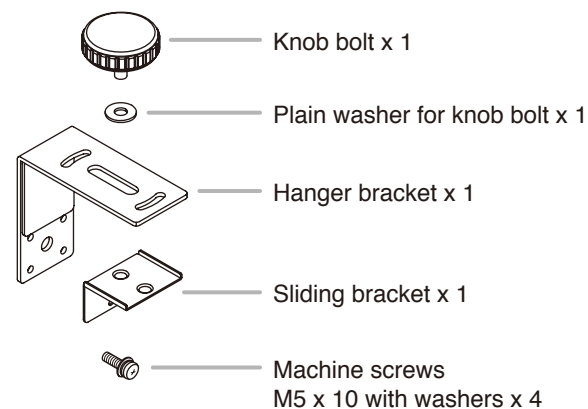
Indicates a potentially hazardous situation which, if mishandled, could result in moderate or minor personal injury, and/or property damage.

- Avoid touching the unit's sharp metal edge to prevent injury.
- Do not hang down from the unit as this may cause it to fall down or drop, resulting in personal injury and/or property damage.

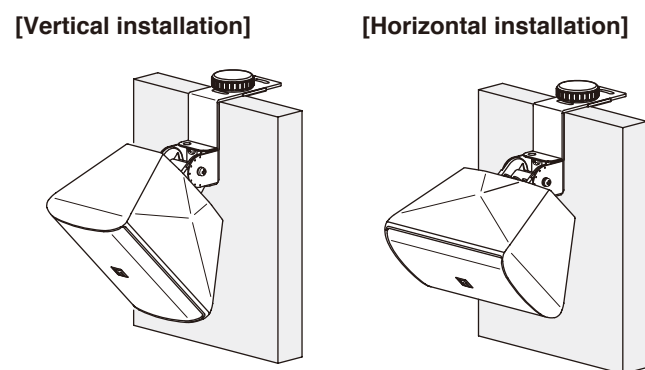
2. GENERAL DESCRIPTION

The HY-BH10B Board Hanger Bracket is used to mount an F-1000/1300 Series speaker to a temporarily installed partition board. The speaker can be installed in either a vertical or horizontal orientation.

3. COMPONENT PARTS



4. FINISHED ASSEMBLING DIAGRAM



5. SPECIFICATIONS

Applicable Speaker	F-1000B, F-1000BT, F-1000W, F-1000WT, F-1300B, F-1300BT, F-1300W, F-1300WT
Finish	Steel plate, black, paint
Dimensions	48 (w) x 100 (h) x 108 (d) mm (knob bolt excluded)
Weight	300 g

Note
The design and specifications are subject to change without notice for improvement.

6. INSTALLATION

Tip: The wall bracket supplied with each speaker is not used.

Step 1. Attach the speaker bracket to the rear of the speaker cabinet. Use the screws supplied with the speaker.

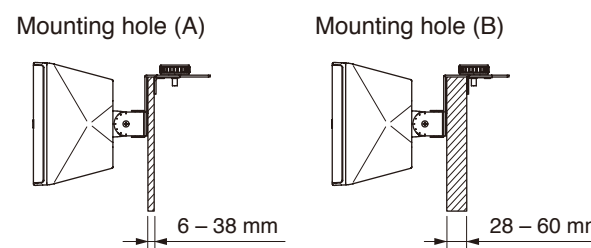
Note: Attach the speaker bracket according to the speaker mounting orientation.

Step 2. Attach a joint bracket to the hanger bracket using the supplied 4 screws.

Step 3. Mount the speaker to the joint bracket. Insert the speaker bracket into the joint bracket and loosely secure the fixing bolt for temporary speaker installation.

Step 4. Attach the sliding bracket to the hanger bracket using the knob bolt and plain washer. Select either mounting hole A or B in the sliding bracket, depending on the thickness of the partition board.

[Mountable partition board thickness]



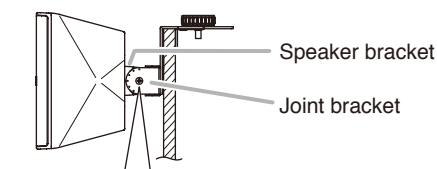
Step 5. Mount the speaker to the partition board. Slide the sliding bracket to pinch the partition board between the sliding bracket and hanger bracket, then tighten the knob bolt.

Step 6. Connect the speaker cable to the speaker input terminal. For connections, refer to the instruction manual enclosed with the speaker.

Step 7. Adjust the speaker's vertical mounting angle and tighten the fixing bolt.

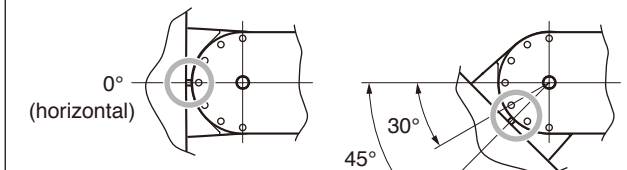
The speaker angle can be adjusted in 7.5° steps within the range as follows.

F-1000 series: 0° (horizontal) to 45° downward
F-1300 series: 0° (horizontal) to 37.5° downward

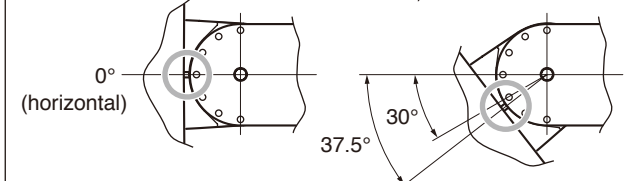


Refer to the figures below for the positional relationship between the speaker bracket's "groove" and the joint bracket's "indentation."

[F-1000 series]



[F-1300 series]



Note
The mating surfaces of the speaker bracket and joint bracket are designed to interlock. Ensure that both parts are securely engaged with each other after mounting is complete.

When protection against falls is required: Fix the sliding bracket directly to the partition board using screws. Note that the fixing screws are not supplied.

